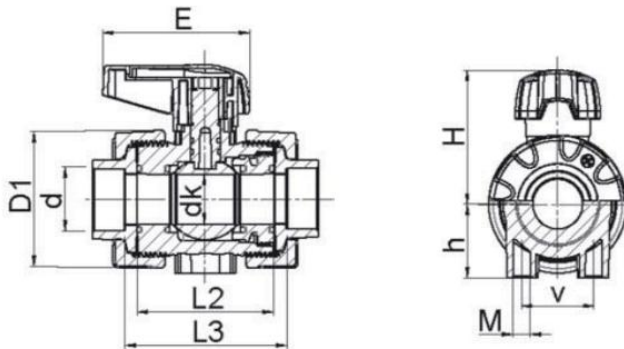




New Plastic Ball valves

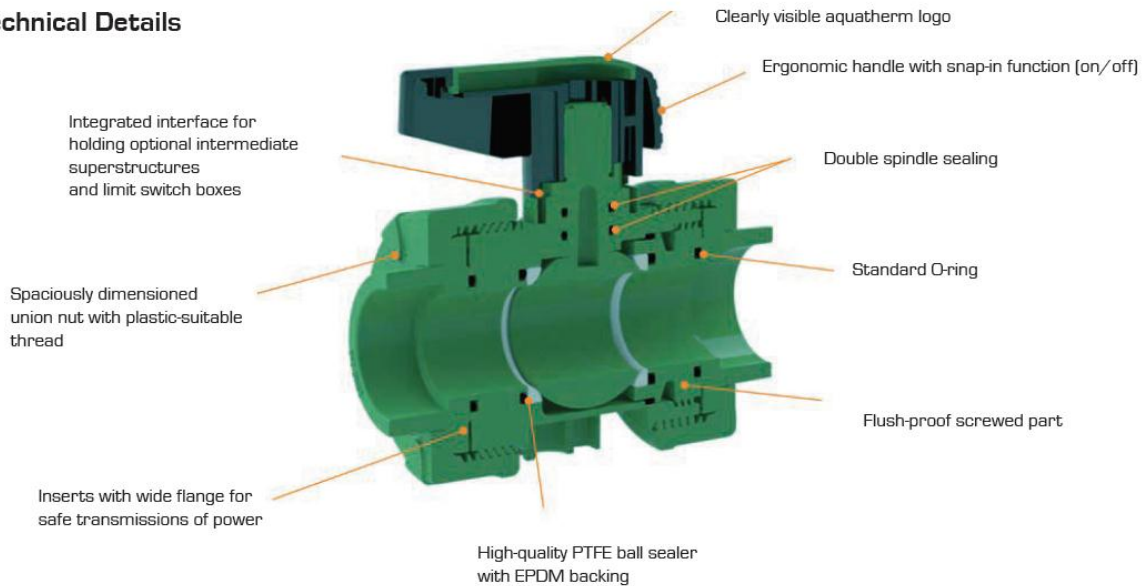
As of June we will change to new plastic ball vales. The service conditions are identical to the old ball valves which will still be delivered until their complete sale. The following dimensions will be changed:

- | | |
|--|-----------------------------|
| NEW: 41488 (OLD: 41388) fusiotherm PP ball valve | with welding socket – 20 mm |
| NEW: 41490 (OLD: 41390) fusiotherm PP ball valve | with welding socket – 25 mm |
| NEW: 41492 (OLD: 41392) fusiotherm PP ball valve | with welding socket – 32 mm |
| NEW: 41494 (OLD: 41394) fusiotherm PP ball valve | with welding socket – 40 mm |
| NEW: 41496 (OLD: 41396) fusiotherm PP ball valve | with welding socket – 50 mm |
| NEW: 41498 (OLD: 41398) fusiotherm PP ball valve | with welding socket – 63 mm |



aquatherm	41488	41490	41492	41494	41496	41498
d (mm)	20	25	32	40	50	63
DN (mm)	15	20	25	32	40	50
dk	13,5	18,5	23,9	31	38,5	50
D1	50,3	59	70,3	85,9	99,5	125,5
E	66	81	81,5	91,5	91,5	141,5
h	27	30	40	46	55	70
H	48	56,5	64,5	83,3	89,4	115
L2	56,5	65,5	72	85	89	101
L3	68	78,5	84,5	100	107	118

Technical Details



aquatherm GmbH