

PIPE CLAMPS suitable as fixing point

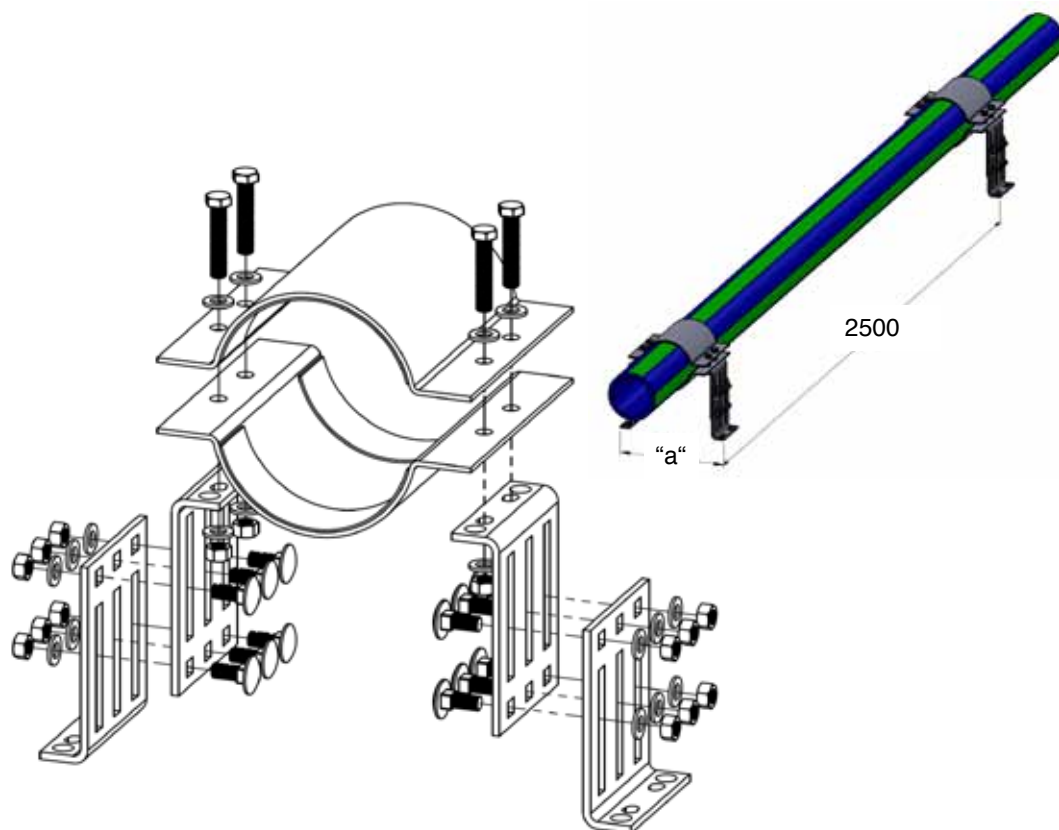
From now on aquatherm offers fixed-point fastenings for pipes from 160 mm - 630 mm (art.-No. 60768 - 60790). Packing unit is each with 1 piece.

Surface treatment: walraven BIS UltraProtect 1000 - corrosion prevention system for fixing products in inner and outdoor area

Advantages:

- reliable and permanent protection against perforation corrosion and breakdown of the static load capacity
- 1000 hours salt spray test without ferric oxide (rust)
- suitable for installation in corrosive inner and outside areas
- considerably higher corrosion protection than with electrogalvanized and hot-dip galvanized products (after spread test acc. to DIN EN ISO 9227)

| art.-no. | diameter | min. torque clamp locking | min. torque height adjustment | height adjustment | fixig on building | measure „a“ | weight per set |
|----------|----------|---------------------------|-------------------------------|-------------------|-------------------|-------------|----------------|
| [-] | [mm] | [Nm] | [Nm] | [mm] | [-] | [mm] | [kg] |
| 0060768 | 160 | 25 | 75 | 192,5 - 283,5 | M 12 | 354,1 | 8,55 |
| 0060770 | 200 | 25 | 75 | 192,5 - 283,5 | M 12 | 394,5 | 9,45 |
| 0060774 | 250 | 50 | 75 | 192,5 - 283,5 | M 12 | 444,8 | 19,37 |
| 0060778 | 315 | 50 | 75 | 192,5 - 283,5 | M 12 | 510 | 22,75 |
| 0060780 | 355 | 50 | 75 | 192,5 - 283,5 | M 12 | 550,1 | 24,84 |



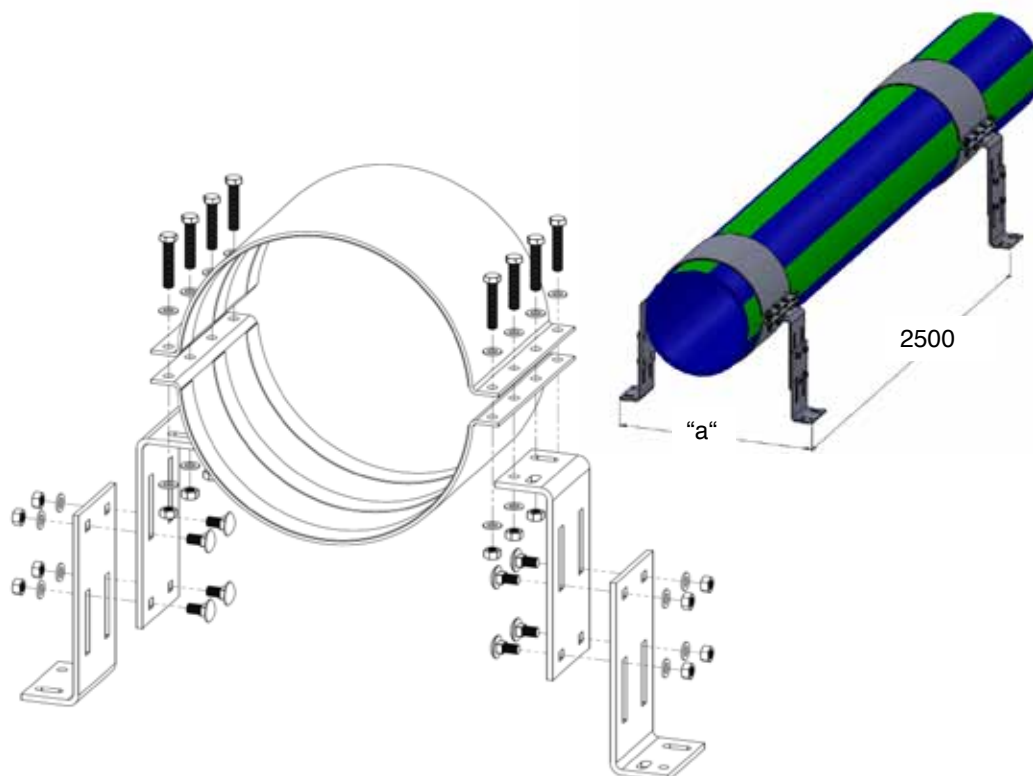


aquatherm

state of the pipe

PIPE CLAMPS suitable as fixing point

| art.-no. | diameter | min. torque clamp locking | min. torque height adjustment | height adjustment | fixig on building | measure „a“ | weight per set |
|----------|----------|---------------------------|-------------------------------|-------------------|-------------------|-------------|----------------|
| [-] | [mm] | [Nm] | [Nm] | [mm] | [-] | [mm] | [kg] |
| 0060782 | 400 | 50 | 120 | 404,5 - 497,5 | M16 | 823,2 | 43,64 |
| 0060784 | 450 | 50 | 120 | 404,5 - 497,5 | M16 | 873,3 | 46,25 |
| 0060786 | 500 | 50 | 120 | 404,5 - 497,5 | M16 | 923,4 | 48,87 |
| 0060788 | 560 | 50 | 120 | 404,5 - 497,5 | M16 | 983,4 | 52,00 |
| 0060790 | 630 | 50 | 120 | 404,5 - 497,5 | M16 | 1053,5 | 55,66 |





Edition No. 14 2013 | 12th August 2013

TECHNEWS

technews@aquatherm.de



aquatherm

state of the pipe

aquatherm grey pipe PIPE BENDING TOOL

aquatherm now offers new manual pipe bending tools for multi-layer metal composite pipes with the following article-numbers:

| | | | |
|---------|---------------------|------|--|
| 0050970 | manual bending tool | 16mm | (replaces bending template art.-No. 50870) |
| 0050972 | manual bending tool | 20mm | (replaces bending template art.-No. 50872) |

For the 25 mm multi-layer metal composite pipe the bending template art.-no. 50874 is still available.



PERFORATED PACKING FILM

In the future the aquatherm fittings will be packed in perforated packing films as the air can better escape. Thereby the packing of several fittings in boxes is much easier. The change will take place in the coming months.



aquatherm GmbH

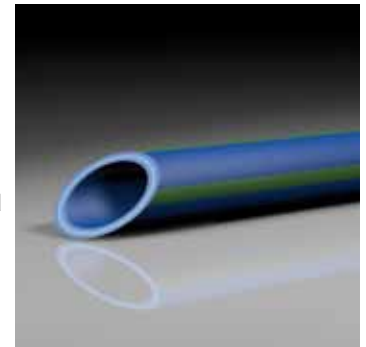
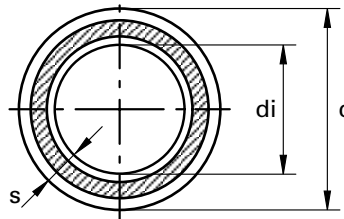


aquatherm

state of the pipe

aquatherm blue pipe - SDR 7,4 / 11 / 17,6 MF - NEW ARTICLE NO. 2570126

Structure of pipe: MF = multilayer, with fibre reinforced
 Material: fusiolen PP-R
 Pipe series: SDR 7,4 / S 3,2 & SDR11 / S 5 & SDR 17,6 / S 8,3
 Standards: SKZ HR 3.28, ASTM F 2389, CSA B 137.11, ISO 21003
 Colour: blue with 4 wider green stripes
 Form supplied: ø 20-125mm straight lengths 4 m
 ø 160-630mm straight lengths 5,8 m
 Packing Unit: PU in meter



Mechanically stabilized through a fibre mix integrated in the middle layer of the fusiolen® PP-R.

| SDR | Art.-No. | Dimension d [mm] | Wall thickness s [mm] | Internal diameter di [mm] | Water content [l/m] | Weight [kg] | DN | PU [m] | Price € m/pc | |
|---------|--------------------|------------------|-----------------------|---------------------------|---------------------|-------------|--------|--------|--------------|--|
| 7,4 | Socket welding | | | | | | | | | |
| | 2070708 | 20 | 2,8 | 14,4 | 0,163 | 0,159 | 15 | 100 | | |
| | 2070710 | 25 | 3,5 | 18,0 | 0,254 | 0,244 | 20 | 100 | | |
| 11 | 2070712 | 32 | 4,4 | 23,2 | 0,423 | 0,275 | 25 | 40 | | |
| | 2070112 | 32 | 2,9 | 26,2 | 0,539 | 0,285 | 25 | 40 | | |
| | 2070114 | 40 | 3,7 | 32,6 | 0,834 | 0,435 | 32 | 40 | | |
| | 2070116 | 50 | 4,6 | 40,8 | 1,307 | 0,675 | 40 | 20 | | |
| | 2070118 | 63 | 5,8 | 51,4 | 2,074 | 1,065 | 50 | 20 | | |
| | 2070120 | 75 | 6,8 | 61,4 | 2,959 | 1,482 | 65 | 20 | | |
| | 2070122 | 90 | 8,2 | 73,6 | 4,252 | 2,145 | 80 | 12 | | |
| | 2070124 | 110 | 10,0 | 90,0 | 6,359 | 3,175 | - | 8 | | |
| | 2070126 | 125 | 11,4 | 102,2 | 8,199 | 4,118 | 100 | 4 | | |
| | 17,6 | Butt welding | | | | | | | | |
| | | 2070130 | 160 | 14,6 | 130,8 | 13,430 | 6,728 | 125 | 5,8 | |
| | | 2070134 | 200 | 18,2 | 163,6 | 21,010 | 10,480 | 150 | 5,8 | |
| | | 2070138 | 250 | 22,7 | 204,6 | 32,861 | 16,300 | 200 | 5,8 | |
| | | 2070142 | 315 | 28,6 | 257,8 | 52,172 | 25,700 | 250 | 5,8 | |
| | | 2070144 | 355 | 32,2 | 290,6 | 66,29 | 33,034 | 300 | 5,8 | |
| 2070146 | | 400 | 36,3 | 327,6 | 84,290 | 41,400 | 300 | 5,8 | | |
| 2070148 | | 450 | 40,9 | 368,2 | 106,477 | 52,400 | 400 | 5,8 | | |
| 17,6 | Socket welding | | | | | | | | | |
| | NEW 2570126 | 125 | 7,1 | 110,8 | 9,637 | 2,698 | 100 | 4 | | |
| | Butt welding | | | | | | | | | |
| | 2570130 | 160 | 9,1 | 141,8 | 15,792 | 4,360 | 150 | 5,8 | | |
| | 2570134 | 200 | 11,4 | 177,2 | 24,661 | 6,800 | 200 | 5,8 | | |
| | 2570138 | 250 | 14,2 | 221,6 | 38,568 | 10,570 | 250 | 5,8 | | |
| | 2570142 | 315 | 17,9 | 279,2 | 61,223 | 16,740 | 300 | 5,8 | | |
| | 2570144 | 355 | 20,1 | 314,8 | 77,832 | 21,210 | 350 | 5,8 | | |
| | 2570146 | 400 | 22,7 | 354,6 | 98,756 | 26,930 | 350 | 5,8 | | |
| | 2570148 | 450 | 25,5 | 399,0 | 125,036 | 34,020 | 400 | 5,8 | | |
| 2570150 | 500 | 28,4 | 443,2 | 154,272 | 42,070 | 450 | 5,8 | | | |
| 2570152 | 560 | 31,7 | 496,6 | 193,688 | 52,550 | 500 | 5,8 | | | |
| 2570154 | 630 | 35,7 | 558,6 | 245,070 | 66,540 | 500 | 5,8 | | | |

aquatherm GmbH