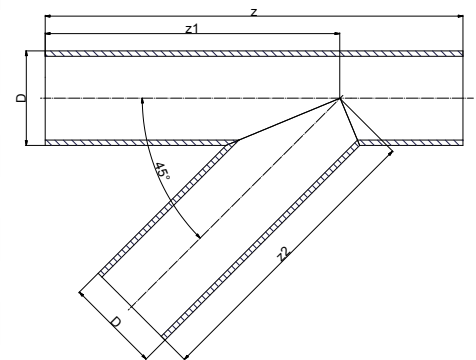


aquatherm blue pipe

Y-TEES

Immediately aquatherm offers the aquatherm blue pipe Y-tees listed in the table. The branches are used for special applications in low- or non-pressurized area, e.g. in the vacuum dewatering in shipbuilding. The Y-tees are made of pipe segments and manufactured according to receipt of order. There are no plans to stock these special components in bulk.

| Art.-No. | System | Pipe series | D (mm) | z (mm) | z1 (mm) | z2 (mm) |
|----------|---------------------|-------------|--------|---------|---------|---------|
| 2013018 | aquatherm blue pipe | SDR 11 | 63 | 560,00 | 380,00 | 380,00 |
| 2013020 | aquatherm blue pipe | SDR 11 | 75 | 570,00 | 405,00 | 405,00 |
| 2013022 | aquatherm blue pipe | SDR 11 | 90 | 577,00 | 412,00 | 412,00 |
| 2013024 | aquatherm blue pipe | SDR 11 | 110 | 610,00 | 435,00 | 435,00 |
| 2013026 | aquatherm blue pipe | SDR 11 | 125 | 665,00 | 475,00 | 475,00 |
| 2013031 | aquatherm blue pipe | SDR 11 | 160 | 782,00 | 551,00 | 551,00 |
| 2013035 | aquatherm blue pipe | SDR 11 | 200 | 925,00 | 650,00 | 650,00 |
| 2013039 | aquatherm blue pipe | SDR 11 | 250 | 1105,00 | 780,00 | 780,00 |
| 2513026 | aquatherm blue pipe | SDR 17,6 | 125 | 665,00 | 475,00 | 475,00 |
| 2513030 | aquatherm blue pipe | SDR 17,6 | 160 | 782,00 | 551,00 | 551,00 |
| 2513034 | aquatherm blue pipe | SDR 17,6 | 200 | 925,00 | 650,00 | 650,00 |
| 2513038 | aquatherm blue pipe | SDR 17,6 | 250 | 1105,00 | 780,00 | 780,00 |



New aquatherm flow-through back plate elbow

AQUATHERM PROVIDES BEST OPERATING CONDITIONS IN YOUR DRINKING WATER INSTALLATION

The problem: stagnant water – the biggest sin against hygiene

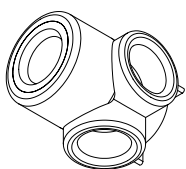
If water is not flowing for a long period of time, they say, it is "stagnant". Stagnant water is similar to food with expiration date. If the water stagnates in the pipe, microbiological influences can let grow germs in the water. The Federal Environment Agency recommends no use of water that has been more than four hours in the pipe for preparation of food and drinks.

The solution: aquatherm flow-through back plate elbow

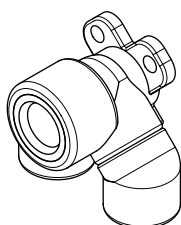
The aquatherm flow-through back plate elbow ensures that even if individual valves are not used regularly, the total water content of the series and loops is replaced periodically, because the most commonly used fitting (usually WC) excludes stagnation.



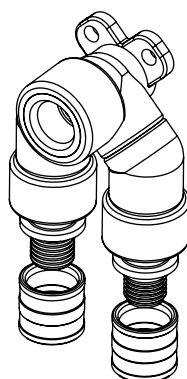
| Art.-No. | Description | Dimension |
|---------------|---|------------------------|
| 20197 | aquatherm green pipe Flow-through back plate elbow 90° | 20 mm x 1/2" f x 20 mm |
| 20198 | aquatherm green pipe Flow-through back plate elbow, parallel | 20 mm x 1/2" f x 20 mm |
| 779050 | aquatherm grey pipe Flow-through back plate elbow, parallel | 16 mm x 1/2" f x 16 mm |
| 779052 | aquatherm grey pipe Flow-through back plate elbow, parallel | 20 mm x 1/2" f x 20 mm |



20197



20198



779050-779052



Edition No. 2 2015 | 27th January 2015

TECHNEWS

technews@aquatherm.de



aquatherm

state of the pipe

aquatherm ibérica S.L.

NEW HEADQUARTERS OF OUR SPANISH PARTNER

Today we would like to present the new aquatherm iberica S.L. building. Since 2012 this is the new headquarters of our Spanish partner.

aquatherm iberica S.L. is one of the long-standing partners of the aquatherm GmbH and has grown steadily over the last 25 years. The head office is based in Madrid since the beginning of cooperation. This is a central location to serve the entire country and Portugal. In recent decades aquatherm iberica moved several times due to growth. In 2008, after the years of rapid growth from 2006 to 2008, the decision was to invest in a new and modern office and warehouse building. For this site, Pinto, a newly developed industrial area in the metropolitan area of Madrid was selected. Pinto is located about 20 km from the center of Madrid and is one of the most important industrial areas south of the city.

The planning phase took 2 years. Then in June 2010, the starting signal for the start of construction fell. In March 2012, the building was completed with a total area of 3,800 m². The new facilities have been based in June 2012. Today aquatherm iberica S.L. employs 20 people at this new location with space for further staff.

Spain has left behind the economic recession in the end of 2013 and in 2014 achieved a growth of 1.3%. 2015 is expected to grow by 2%. These are positive trends that aquatherm iberica S.L. can also confirm.





Edition No. 2 2015 | 27th January 2015

TECHNEWS

technews@aquatherm.de



aquatherm

state of the pipe

The new premises of our partner aquatherm iberica S.L. not only provide ample space for storage, training rooms, offices and workshop, but also offer the possibility to present the whole aquatherm product range with its various fields of application in real operation.

The area of the office building consists of 3 floors (basement, ground floor and first floor) with a total area of 1,500 m². The stock with an area of 2,300 m² is attached.

The ground floor and the first floor are the core of the building. Here are the offices, the training room and the exhibition. In the basement, several areas such as the dining room, dressing rooms, archives and technical rooms are located.

Climate technology

For the room climate, the details of the Standard for Thermal Systems were used: In winter months, a room temperature of 22 °C and in summer months a room temperature of 25 °C is aimed. The relative humidity should be maintained at 55 %. These conditions are guaranteed by the installation of the aquatherm black system. This system allows comfortable indoor temperatures. The operating temperature in summer is 17-18 °C and in winter 35-36 °C – values that not only provide a pleasant room climate, but also obtain significantly lower energy consumption.

Sections of the stock have been equipped with the aquatherm orange system (500 m²) in order to create a comfortable indoor temperature in the cooler seasons.

For the supply of drinking water (hot) and heating water, a Buderus hot water tank operated by natural gas and with a power of 65 KW was installed.

The cooling is done by an electrically driven air condensation cooler with an output of 44.8 KW.

Both units are installed on the roof of the office building.

The open area on the roof of the office building is a location for various devices, which are necessary for the cooling and hot water installations.

Fresh air is led in the rooms by two air conditioning units. Equipped with an air heat exchanger and also located on the roof, they ensure that the air is processed before being fed into the premises.

The entire pipe network and also the flow and return manifolds have been installed with aquatherm blue pipe OT.





Edition No. 2 2015 | 27th January 2015

TECHNEWS

technews@aquatherm.de



aquatherm

state of the pipe

Hot water installation

The hot water treatment is done by means of the hot water tank and solar panels, located on the building roof. aquatherm green pipe was used for the supply and return pipes.

Fire protection systems

The building was equipped with the appropriate fire protection systems.

In the office area a sprinkler system was installed. The warehouse is equipped with a 45 mm wall hydrant network and a smoke detection system was installed. The pumps and the cistern are in one of the engineering rooms in the basement of the building. The complete pipe network for the sprinklers and wall hydrants was installed with aquatherm red pipe. The perfect solution and – of course approved for this application.

Compressed air installation

For different operations in the company compressed air is required. For this reason a compressed air installation, i.a. for the devices in the engineering rooms, was made. Further aquatherm blue pipes were laid to the taps in the warehouse and in the offices.

This building technology brilliantly presents the different options of the aquatherm products. Planners, engineers, craftsmen and wholesalers can convince themselves on-site of the challenging technology, the diversity and functionality of our aquatherm products.

